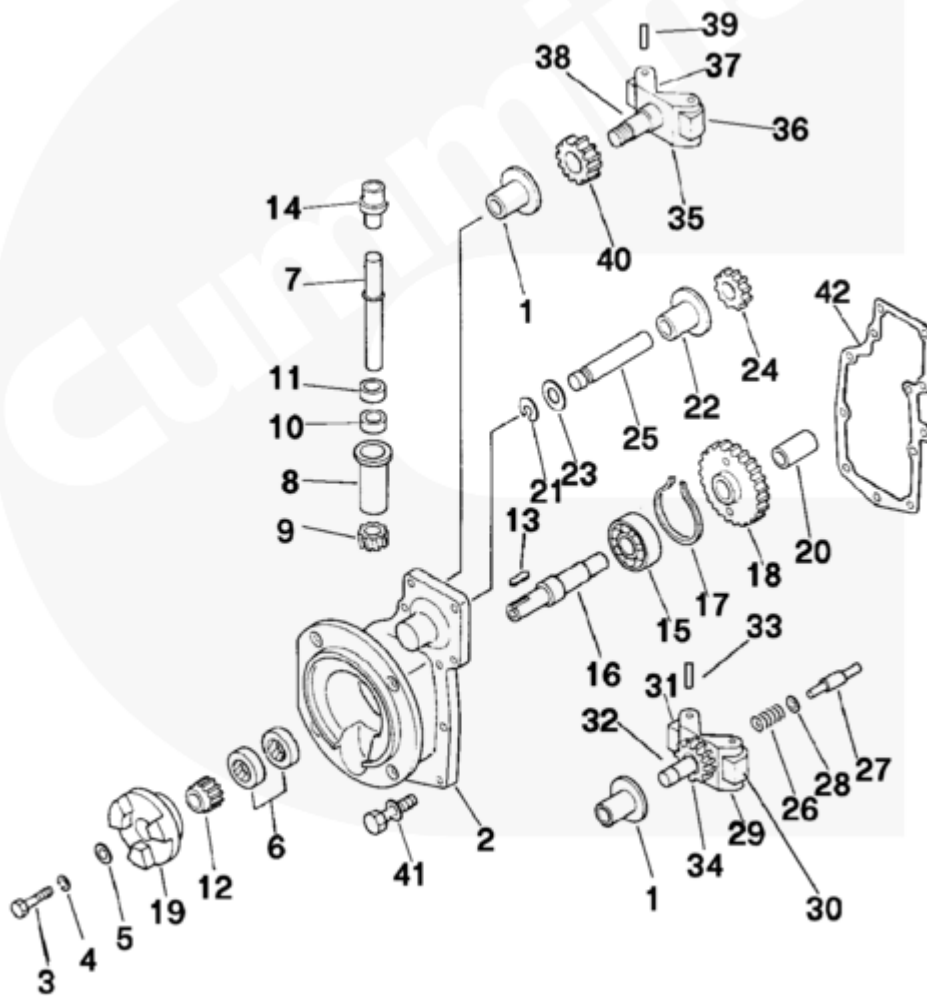




Parts Catalog - Option Detail

| Electronic Parts Catalog - Option Detail | | | | |
|--|---|---------|-----------|-----------|
| Option | Group | Graphic | Film Card | Date |
| FP6828 | 05.01.2 | fp400gf | K38 | 08-SEP-93 |
| Engines | GTA38, K38, KTA38GC CM558, QSK38 CM2150 K106, QSK38 CM2150 MCRS, QSK38 CM850 MCRS | | | |

©Cummins Inc



fp400gf

[SMALL](#) | [MEDIUM](#) | [LARGE](#)

| Cart | Ref No | Part Number | Part Description | Required | Remarks |
|--------------|--------|-------------|------------------|----------|---------|
| View My Cart | | | | | |
| | | FP6828 | Fuel Pump Cover | | |

| | | | | | |
|--------------------------|----|---------|--------------------------|---|------------------------------|
| | | | | | PTG/VS front cover with tach |
| | | | | | drive. Use 3057816 hardware |
| | | | | | kit. |
| <input type="checkbox"/> | | 3279503 | Fuel Pump Cover | 1 | |
| <input type="checkbox"/> | 1 | 163944 | Bushing | 1 | |
| | 2 | 3079939 | Fuel Pump Cover | 1 | |
| <input type="checkbox"/> | 3 | 118226 | Socket Head Cap Screw | | #10 - 24 x 1 1/4 in. |
| <input type="checkbox"/> | 4 | S 607 | Lock Washer | 1 | #10 |
| <input type="checkbox"/> | 5 | 103089 | Plain Washer | 1 | 1/8 in. |
| <input type="checkbox"/> | 6 | 3062676 | Oil Seal | 2 | |
| <input type="checkbox"/> | | 3015665 | Tachometer Drive Shaft | | |
| <input type="checkbox"/> | 7 | 212607 | Tachometer Drive Shaft | 1 | |
| <input type="checkbox"/> | 8 | 212609 | Tachometer Drive Bushing | 1 | |
| <input type="checkbox"/> | 9 | 212610 | Tachometer Drive Gear | 1 | |
| <input type="checkbox"/> | 10 | 3004724 | Seal Spacer | 1 | |
| <input type="checkbox"/> | 11 | 212603 | Oil Seal | 1 | |
| <input type="checkbox"/> | 12 | 212602 | Tachometer Drive Gear | 1 | |
| <input type="checkbox"/> | 13 | 212668 | Square Key | 1 | |
| <input type="checkbox"/> | 14 | 3002110 | Male Connector | 1 | |
| <input type="checkbox"/> | | 3028372 | Main Drive Assembly | | |
| <input type="checkbox"/> | 15 | S 16052 | Ball Bearing | 1 | |
| <input type="checkbox"/> | 16 | 212601 | Fuel Pump Drive Shaft | 1 | |
| <input type="checkbox"/> | 17 | 212604 | Retaining Ring | 1 | |
| <input type="checkbox"/> | 18 | 212605 | Fuel Pump Gear | 1 | |
| <input type="checkbox"/> | 19 | 212613 | Jaw Coupling Hub | 1 | |
| <input type="checkbox"/> | 20 | 212639 | Spline Adapter | 1 | |
| <input type="checkbox"/> | | AR40147 | Idler Gear Shaft | 1 | |
| <input type="checkbox"/> | 21 | 135169 | Retaining Ring | 1 | |
| <input type="checkbox"/> | 22 | 201010 | Bushing | 1 | |
| <input type="checkbox"/> | 23 | 201745 | Thrust Ring | 1 | 3/4 Inch. |

| | | | | | |
|--------------------------|----|-------------------------|--------------------------------|---|-----------------------------|
| | 24 | 113244 | Idler Gear | 1 | |
| | 25 | 201008 | Idler Shaft | 1 | |
| <input type="checkbox"/> | 26 | 143855 | Compression Spring | 1 | |
| <input type="checkbox"/> | 27 | 144178 | Governor Weight Assist Plunger | 1 | |
| <input type="checkbox"/> | 28 | 144179 | Shim | 7 | |
| <input type="checkbox"/> | 29 | 3024991 | Governor Weight Carrier | | Recon equivalent 3024991 RX |
| <input type="checkbox"/> | 30 | 146437 | Governor Weight | 1 | |
| <input type="checkbox"/> | 31 | 3006550 | Governor Weight Carrier | | |
| <input type="checkbox"/> | 32 | 211633 | Governor Shaft | 1 | |
| <input type="checkbox"/> | 33 | 211635 | Governor Weight Pin | | |
| <input type="checkbox"/> | 34 | 211636 | Governor Gear | 1 | |
| <input type="checkbox"/> | 35 | 3024989 | Governor Weight Carrier | | Recon Equivalent 3024989 RX |
| <input type="checkbox"/> | 36 | 163826 | Governor Weight | 1 | |
| <input type="checkbox"/> | 37 | 3006550 | Governor Weight Carrier | | |
| <input type="checkbox"/> | 38 | 211633 | Governor Shaft | 1 | |
| <input type="checkbox"/> | 39 | 211635 | Governor Weight Pin | | |
| <input type="checkbox"/> | 40 | 211636 | Governor Gear | 1 | |
| <input type="checkbox"/> | 41 | 3017051 | Captive Washer Cap Screw | | 1/4 - 20 X 1 1/8 in. |
| <input type="checkbox"/> | 42 | 200998 | Fuel Pump Gasket | | |